

Enquiry Ordering

Company stamp/signature: _____

Contact person: _____

Telephone: _____

Offer number: _____

Commission: _____

Standard snow load: 65 kg/m² 85 kg/m² 125 kg/m² 160 kg/m² 230 kg/m² 350 kg/m²

Dimensions: Width outer edge support: _____ Depth outer edge support: _____

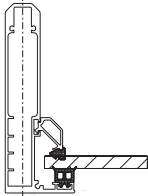
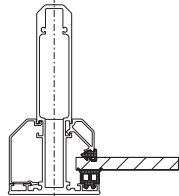
 Height upper edge wall connection: _____ Height lower edge eave: _____ (Height including floor recess!)

Number of roof sections: _____ (Maximum width of 1,000 mm/roof section!)

Colour: RAL _____ Special colour: _____ Pre-anodization

Support feet:  Amount _____  Amount _____

Number of supports: _____ Support extension _____ mm
(for adaptation of the support length on the construction site)

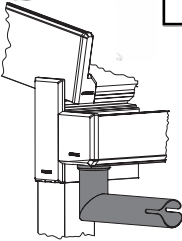
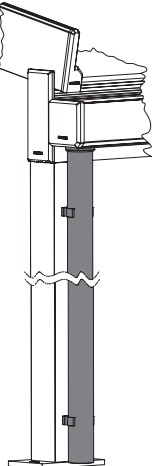
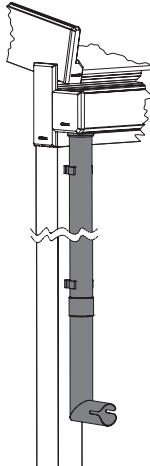
Verge rafters:  (standard)  (required for shades below)

Glazing designed for: 8 mm 10 mm 12 mm 16 mm 24 mm

Glazing bars for division of the glass: yes no

Collecting channel design: square round

Drainage:
(A second downpipe is recommended for a roof surface area of 20 m² or more!)

Set 1  Set 2  Set 3 

- Set 1 (Screw supports incl. seal, 180° spout, aluminium in roof colour)
 Set 2 (Screw supports incl. seal, downpipe 2,500 mm, 2 clamp mounts, aluminium in roof colour)
 Set 3 (Screw necks incl. seal, downpipe 2,500 mm, 87° pipe bend with outlet, 1 socket, 2 clamp mounts, aluminium in roof colour)

Aluminium covering panel in the roof colour for set 2 or 3

Position of drainage: left right middle (only possible if there are 3 or more support)

(External view)

- Lighting:
- _____ Part Light strips for LEDs (customised over the whole of the rafter length in the inner area)
 - _____ Part Light strips for LED-stripe (customised over the whole of the rafter length in the inner area)
 - _____ Part LED spots per light strip (please create a sketch for the distribution of the spots)

 - _____ Part Set of 6 LED recessed light "Altea" 3000K, 6 pc. Y-cabel 1,5m
30W transformer 24V DC, Set of 4 2m cabel
 - _____ Part LED strip 5.000 mm roll (120 LED's / m), 6 pc. Y-cable 1.5m,
30W transformer 24V DC
 - _____ Part Dimming controller
 - _____ Part 1-channel remote control
 - _____ Part 5-channel remote control with dimming control
 - _____ Part Set of 6 LED recessed light "Altea" 3000K
 - _____ Part Transformer DC 24V 30W
 - _____ Part Transformer 24V 100W
 - _____ Part LED strip 5.000 mm roll (120 LED's / m)

Cable duct wall connection: yes no

- Accessory: _____ part Adapter for external shading
 _____ part Adapter for internal shading

Foundation elements:

- | | | | | | |
|--------|--|--|--|-------------------------------|-------------------------------|
| front: | <input type="checkbox"/> SF20
<input type="checkbox"/> SF42 | <input type="checkbox"/> SF25
<input type="checkbox"/> SF45 | <input type="checkbox"/> Framed SF25 | <input type="checkbox"/> SF30 | <input type="checkbox"/> SF35 |
| left: | <input type="checkbox"/> SF20
<input type="checkbox"/> SF42 | <input type="checkbox"/> SF25
<input type="checkbox"/> SF45 | <input type="checkbox"/> Framed SF25
<input type="checkbox"/> Triangle glazing (roof light) | <input type="checkbox"/> SF30 | <input type="checkbox"/> SF35 |
| right: | <input type="checkbox"/> SF20
<input type="checkbox"/> SF42 | <input type="checkbox"/> SF25
<input type="checkbox"/> SF45 | <input type="checkbox"/> Framed SF25
<input type="checkbox"/> Triangle glazing (roof light) | <input type="checkbox"/> SF30 | <input type="checkbox"/> SF35 |

Please complete and send the corresponding order form!

Please add layout or elevation sketches and notes! (Note: use external view!)

