

Enquiry Ordering

Company stamp/signature: _____

Contact person: _____

Telephone: _____

Offer number: _____

Commission: _____

Standard snow load: 65 kg/m² 85 kg/m² 125 kg/m² 160 kg/m² 230 kg/m²

Dimensions: Width outer edge support: _____ Depth outer edge support: _____

Height upper edge wall connection: _____

Height upper edge wall connection: _____ Height lower edge eave: _____ (Height including floor recess!)

Number of roof sections: _____ (Maximum width of 1,000 mm/roof section!)

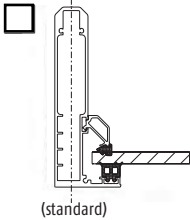
Support feet: _____ (Maximum width of 1,000 mm/roof section!)

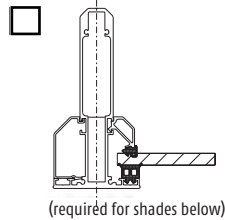
Colour: RAL _____ Special colour: _____ Pre-anodization

Support feet:  Amount _____  Amount _____

Number of supports: _____

Support extension _____ mm
(for adaptation of the support length on the construction site)

Verge rafters: 
(standard)

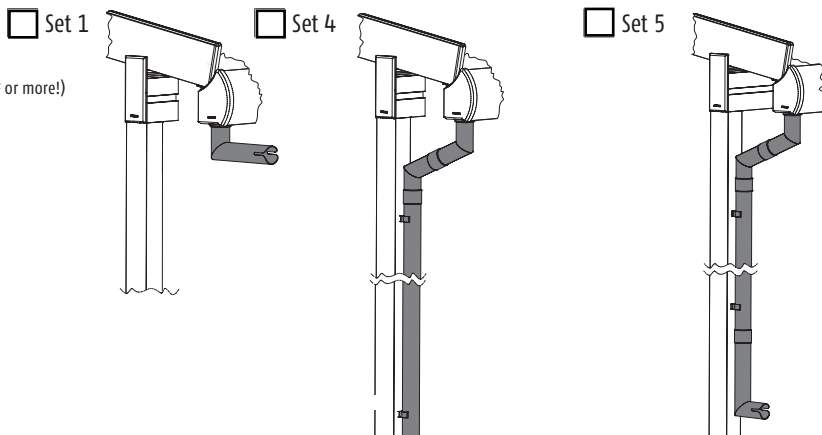

(required for shades below)

Glazing designed for: 8 mm 10 mm 12 mm 16 mm 24 mm

Glazing bars for division of the glass: yes no

Collecting channel design: square round without collecting channel

Drainage:
(A second downpipe is recommended for a roof surface area of 20 m² or more!)



- Set 1** (Screw supports incl. seal, 180° spout, aluminium in roof colour)
- Set 4** (Screw necks incl. seal, 2 pipe bends 67° 420 x 200 mm, downpipe 2.500 mm, 2 clamp mounts, aluminium in roof colour)
- Set 5** (Screw necks incl. sea, 2 pipe bends 67° 420 x 200 mm, downpipe 2.500 mm, pipe bend 87°, 2 clamp mount, 3 clutches, aluminium in roof colour)

Aluminium covering panel in the roof colour for set 4 or 5

Position of drainage: left right middle (only possible if there are 3 or more support)
(External view)

- Lighting:**
- _____ Part Light strips for LEDs (customised over the whole of the rafter length in the inner area)
- _____ Part Light strips for LED-stripe (customised over the whole of the rafter length in the inner area)
- _____ Part LED spots per light strip (please create a sketch for the distribution of the spots)
- _____ Part Set of 6 LED recessed light "Altea" 3000K, 6 pc. Y-cabel 1,5m
30W transformer 24V DC, Set of 4 2m cabel
- _____ Part LED strip 5.000 mm roll (120 LED's / m), 6 pc. Y-cable 1.5m,
30W transformer 24V DC
- _____ Part Dimming controller
- _____ Part 1-channel remote control
- _____ Part 5-channel remote control with dimming control
- _____ Part Set of 6 LED recessed light "Altea" 3000K
- _____ Part Transformer DC 24V 30W
- _____ Part Transformer 24V 100W
- _____ Part LED strip 5.000 mm roll (120 LED's / m)

Cable duct wall connection: yes no

Accessory: _____ part Adapter for external shading
_____ part Adapter for internal shading

Foundation elements: left Oberlicht fixed element
 right Oberlicht fixed element

SF20 SF25 Framed SF25 SF30 SF35
 SF42 SF45

Please add layout or elevation sketches and notes! (Note: use external view!)

